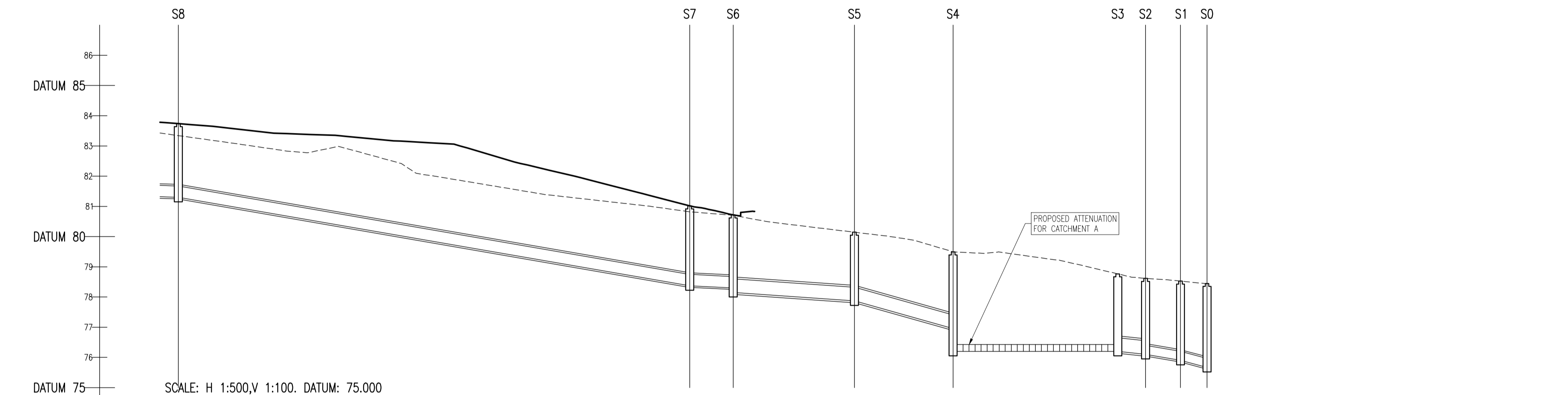
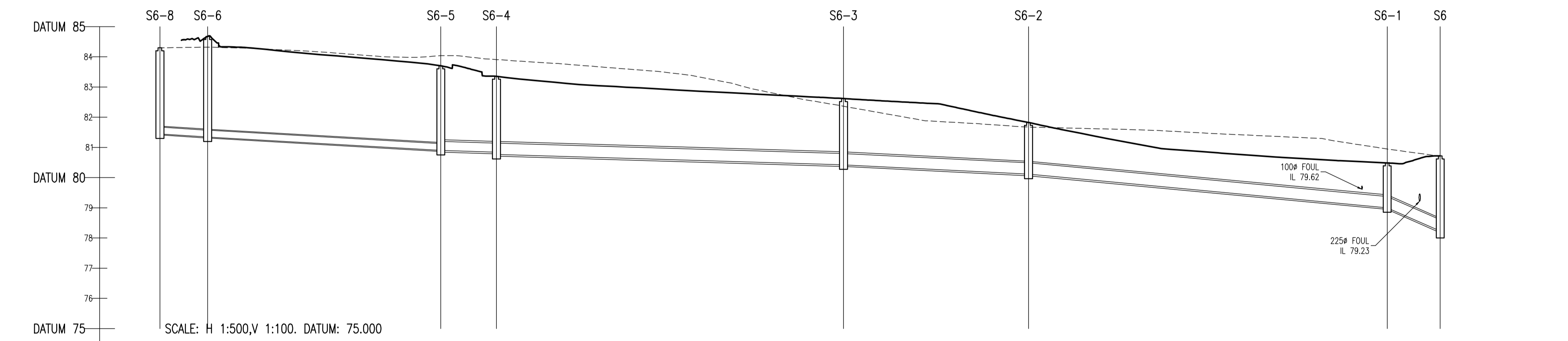


COVER LEVEL	84.627	85.198	85.851	85.274	85.120	85.022	84.874	83.739	78.372
INVERT LEVEL	82.800	82.550	82.405	82.145	82.061	82.010	81.890	81.300	
DEPTH (m)	1.777	2.648	3.446	3.129	3.059	3.022	3.059	2.439	
DISTANCE (m)		33.76	14.19	27.45	14.15	8.80	12.16	87.55	84.75
PIPE SLOPE		1:96	1:98	1:106	1:168	1:173	1:101	1:170	1:29
PIPE SIZE		225mm	225mm	300mm	300mm	300mm	300mm	375mm	375mm



COVER LEVEL	83.739	81.016	80.717	80.143	79.484	78.765	78.615	78.524	78.447
INVERT LEVEL	81.300	78.372	78.300	77.871	76.955	76.200	76.100	75.900	75.665
DEPTH (m)	2.439	2.644	2.567	2.272	2.529	2.565	2.515	2.624	2.782
DISTANCE (m)	87.55	84.75	7.20	20.11	16.36	27.29	4.61	5.79	4.40
PIPE SLOPE	1:170	1:29	1:100	1:72	1:18	Horizontal	1:46	1:29	1:19
PIPE SIZE	375mm	375mm	375mm	450mm	450mm	225mm	450mm	300mm	300mm



COVER LEVEL	84.297	84.675	83.701	83.365	82.618	81.825	80.486	80.717
INVERT LEVEL	81.445	81.344	80.900	80.840	80.422	80.112	79.000	78.225
DEPTH (m)	2.852	3.331	2.801	2.590	2.196	1.713	1.486	2.567
DISTANCE (m)	7.91	38.65	9.23	57.51	30.66	59.45	8.79	
PIPE SLOPE	1:78	1:87	1:154	1:168	1:99	1:53	1:11	
PIPE SIZE	225mm	225mm	300mm	375mm	375mm	375mm	375mm	

- ALL DRAWINGS TO BE CHECKED BY CONTRACTOR ON SITE AND ENGINEER INFORMED OF DISCREPANCIES BEFORE WORK COMMENCES
- ALL LEVELS ARE IN METRES AND ARE RELATED TO ORDINANCE DATUM
- CONTRACTOR SHALL SATISFY HIMSELF AS TO THE ACCURACY OF PAVEMENT LEVELS ON SITE PRIOR TO COMMENCEMENT OF WORKS ON SITE
- ALL WORKS TO BE CONSTRUCTED IN ACCORDANCE WITH THE NRA SPECIFICATION FOR ROAD WORKS UNLESS NOTED OTHERWISE
- THIS DRAWING IS FOR PLANNING PURPOSES ONLY
- MANHOLE COVER LEVELS ARE TO CONFORM WITH FINISHED ROAD AND PATH LEVELS
- WHERE COVER TO PIPE IS LESS THAN 1200mm (ROAD/PATH/VERGE) OR 900mm (OPEN SPACE) SURROUND PIPE IN MINIMUM 150mm CONCRETE

KEY
 - - - - - EXISTING GROUND PROFILE
 _____ PROPOSED GROUND PROFILE

rev	date	description	JOB	BK
P01	04-11-19	ISSUED FOR PLANNING		
A		Approved		
B		Approved with comments		
C		Do not use		

client approval: _____
 suitability: _____
 S2 - INFORMATION | PLANNING

DBFL Consulting Engineers
 Civil, Structural & Transportation Engineering
 www.dbfl.ie
 DUBLIN OFFICE Ormond House, Upper Ormond Quay, Dublin 7, Ireland
 PHONE +353 1 400 4000
 WATERFORD OFFICE Unit 2, The Chandlery, 1-2 O'Connell Street, Waterford, Ireland
 PHONE +353 51 309 500

project ref:
**RESIDENTIAL DEVELOPMENT
 SCHOLARSTOWN**
 drawing title:
SURFACE WATER LONGSECTIONS
 architect:
JOHN FLEMING ARCHITECTS

designed by	author	scale	sheet size
BK	JJB	AS NOTED	A1
drawing no.	revision		
SCH-DBF-ZZ-XX-DR-C-3131	P01		